

# NPB-T & YPB-T

Narrow (NPB-T) - High Misalignment (YPB-T) - Stainless Steel - PTFE Lined

P R E C I S I O N

Inch  
Spherical  
Bearings



## NPB-T & YPB-T Features

### BALL

- 440C Stainless Steel
- Heat Treated

- Hard Chrome Plated
- Precision Ground

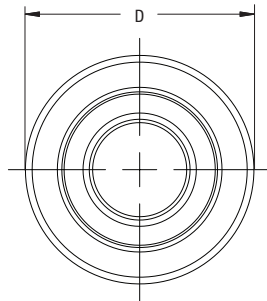
### RACE

- Stainless Steel
- Heat Treated
- PTFE Lined

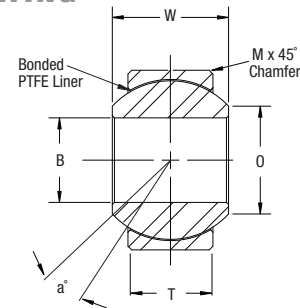
DIMENSIONS IN INCHES

## NPB-T Narrow

Part Number	B + .0000 - .0005	D + .0000 - .0005	T ± .005	W + .000 - .002	O Flat Dia. Ref.	M Cham. Ref.	Ball Dia. Ref.	Misalign. Angle a°	Ult. Radial Static Load Lbs.	Ult. Axial Static Load Lbs.	No Load Breakaway Torque In.-Lbs.	Approx. Brg. Wgt. Lbs.
NPB3T	0.1900	0.5625	0.218	0.281	0.293	0.015	0.406	10	3,975	150	0.25-5	0.02
NPB4T	0.2500	0.6562	0.250	0.343	0.364	0.022	0.500	10	6,040	430	0.25-5	0.02
NPB5T	0.3125	0.7500	0.281	0.375	0.419	0.032	0.562	10	8,750	700	1-8	0.03
NPB6T	0.3750	0.8125	0.312	0.406	0.475	0.032	0.656	9	10,540	1,100	1-8	0.04
NPB7T	0.4375	0.9062	0.343	0.437	0.530	0.032	0.687	8	13,200	1,400	3-12	0.05
NPB8T	0.5000	1.0000	0.390	0.500	0.600	0.032	0.781	8	17,900	2,100	3-12	0.07
NPB9T	0.5625	1.0937	0.437	0.562	0.670	0.032	0.875	8	23,200	3,680	3-12	0.09
NPB10T	0.6250	1.1875	0.500	0.625	0.739	0.032	0.968	8	30,500	4,720	3-12	0.12
NPB12T	0.7500	1.4375	0.593	0.750	0.920	0.044	1.187	8	46,400	6,750	3-12	0.21
NPB14T	0.8750	1.5625	0.703	0.875	0.980	0.044	1.312	8	62,200	9,350	3-12	0.27
NPB16T	1.0000	1.7500	0.797	1.000	1.118	0.044	1.500	9	82,200	12,160	3-12	0.39



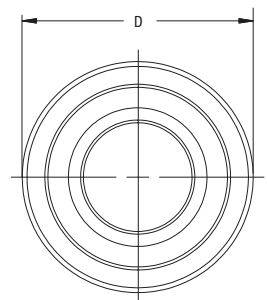
## SELF-LUBRICATING



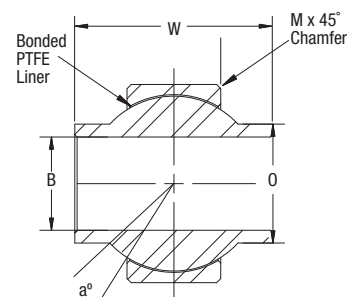
DIMENSIONS IN INCHES

## YPB-T High Misalignment

Part Number	B + .0000 - .0005	D + .0000 - .0007	T ± .005	W + .000 - .005	O Flat Dia. Ref.	M Cham. Ref.	Ball Dia. Ref.	Misalign. Angle a°	Ult. Radial Static Load Lbs.	Approx. Brg. Wgt. Lbs.
YPB4T	0.2500	0.7400	0.255	0.593	0.390	0.020	0.593	24	7,560	0.04
YPB5T	0.3125	0.9060	0.345	0.813	0.512	0.030	0.781	23	16,975	0.07
YPB6T	0.3750	0.9060	0.345	0.813	0.512	0.030	0.781	23	16,975	0.07
YPB7T	0.4375	1.0000	0.345	0.875	0.618	0.030	0.875	22	19,018	0.10
YPB8T	0.5000	1.1250	0.401	0.937	0.730	0.030	1.000	20	25,263	0.16
YPB10T	0.6250	1.3750	0.567	1.200	0.856	0.030	1.250	20	44,651	0.25
YPB12T	0.7500	1.5625	0.620	1.280	0.970	0.035	1.325	18	53,507	0.32



## SELF-LUBRICATING



ISO 9001

800.721.7761  
www.QA1.net